

# Alarm/Release Terminal Type Microswitch



P/N: 87-120047-001

Effective: August 2013  
B-87-029

## FEATURES

- **For Use In:**
  - **Range Guard<sup>®</sup> Commercial Cooking Fire Suppression Systems**
  - **Industry Guard<sup>™</sup> Industrial Fire Suppression Systems**
- **Used for Alarm Circuit and Release Circuit**
- **Screw-type Terminals for Secure Wire Mounting**
- **For Use with Universal Control Head (UCH)**
- **Meets Alarm Requirements for CSA (Canada)**
- **Stackable with Quick Connect Universal Control Head Microswitch**
- **Ships with Non-Conductive Barrier**

## DESCRIPTION

The Alarm/Release Terminal Type Microswitch is a single pole, double-throw switch used for supervision of the Universal Control Head for alarm activation and release actuation (Figure 1, Table 1). The microswitch kit (P/N 87-120047-001) includes the switch, non-conductive shield and mounting hardware.

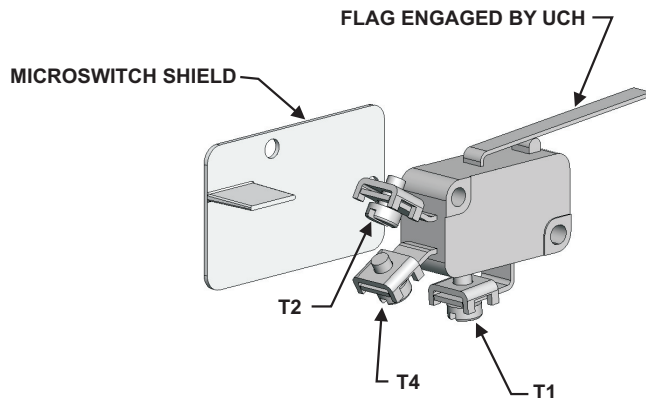


Figure 1. Alarm/Release Terminal Type Microswitch

**Table 1: Electrical Ratings**

250 Vac	15 Amps
250 Vac	1/2 HP
125 Vac	1/2 HP

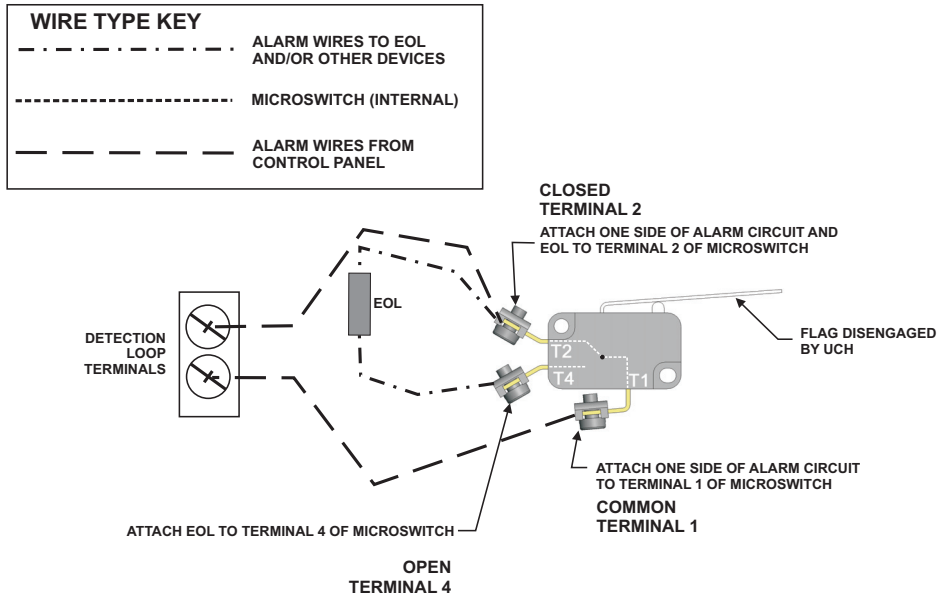
The Alarm/Release microswitch provides approved supervision for the alarm zone circuit of the Kidde AEGIS<sup>™</sup> and ARIES<sup>™</sup> panels, and for other UL Listed control panels (Figure 2). The switch can also be wired in series with the Universal Control Head Solenoid Electric Actuator (P/N 83-100034-001) to open the releasing loop upon system actuation (Figure 3).

Alarm/Release Terminal Type Microswitches are not used for electrical shutdown (i.e., appliance, gas, make-up air). Quick Connect Microswitch Kits (P/Ns 87-120039-001 and 87-120039-501) are available for shutdowns.

The Universal Control Head has two separate microswitch mounting locations to support up to four (4) microswitches (any combination of Quick Connect and/or Alarm/Release type). Each of the two mounting locations has a corresponding EMT port for wire leads, allowing the use of two electrical junction boxes for separation of signal lines and AC lines.

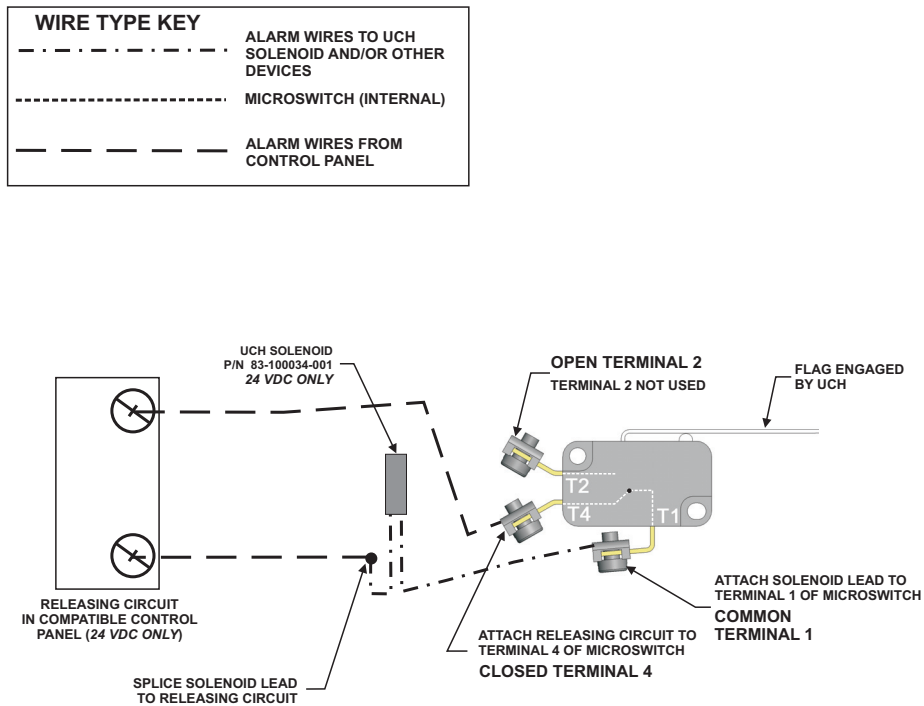
## ORDERING INFORMATION

Description	Part Number
Alarm/Release Terminal Type Microswitch	87-120047-001
Universal Control Head	60-120099-002
Universal Solenoid Electric Actuator Kit	83-100034-001
EMT Connector Kit (set of 3)	87-120058-001
Quick Connect Microswitch Kit, Solid Leads	87-120039-001
Quick Connect Microswitch Kit, Striped Leads	87-120039-501



**SWITCH POSITION WHEN UCH FLAG/CAM IS IN RELEASED POSITION**

Figure 2. Alarm Wiring with Terminal Type Microswitch



**SWITCH POSITION WHEN UCH FLAG/CAM IS IN SET POSITION**

Figure 3. Release Wiring with Terminal Type Microswitch

Badger and Kidde registered trademarks of Kidde-Fenwal, Inc.  
Range Guard is a registered trademark of Badger Fire Protection.  
AEGIS and ARIES are trademarks of Kidde-Fenwal, Inc.  
Industry Guard is a trademark of Badger Fire Protection.



This literature is provided for informational purposes only. BADGER FIRE PROTECTION assumes no responsibility for the product's suitability for a particular application. The product must be properly applied to work correctly.

**Badger Fire Protection**  
944 Glenwood Station Lane  
Suite 303  
Charlottesville, VA 22901  
Ph: (434) 964-3200  
Toll Free: (800) 446-3857  
[www.badgerfire.com](http://www.badgerfire.com)

**Kidde Canada, Inc.**  
340 Four Valley Drive  
Vaughan, Ontario L4K 5Z1  
Ph: (905) 695-6060  
Toll Free: (800) 565-1970  
[www.kiddecanada.com](http://www.kiddecanada.com)