

"UB" Vehicle Bracket Description & Dimensions



The Badger "UB" fire extinguisher vehicle brackets are constructed from quality fabricated steel that is externally finished with a corrosion resistant black polyester epoxy paint, to extend service life in harsh outdoor environments.

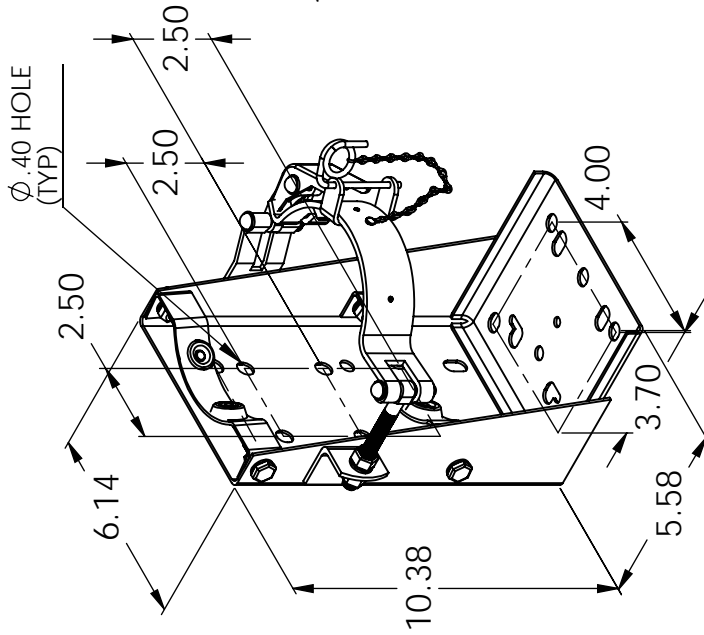
These brackets additionally all feature adjustable retention arms and locking stainless steel ring pins with metal retention chains for added extinguisher security, when properly installed upon mobile applications.

For ease of field replacement, the "UB" bracket back brace and bottom plates come with pre-drilled mounting hole patterns that accommodate many existing applications.

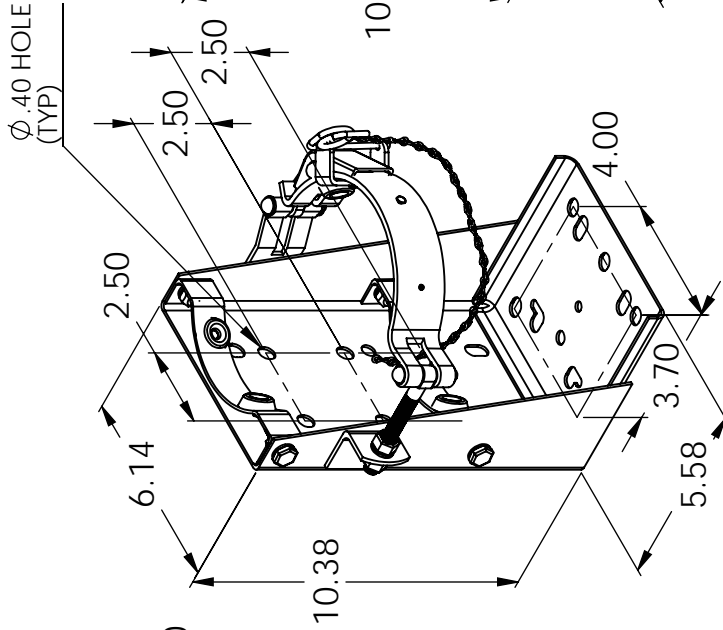
Each bracket is permanently marked with the applicable part number and designation for addressing USCG compliance requirements with listed and approved fire extinguisher models.

| Bracket | P/N | Shipping Weight | Extinguisher Applications |
|---------|--------|--------------------|---------------------------------------------------------------------------|
| UB-5 | 368064 | 5.72 lbs (2.6 kg) | 5# D.C & Halotron, Standard & Extra |
| UB-10 | 366242 | 6.18 lbs (2.8 kg) | 10# D.C. Standard, Extra, Advantage |
| UB-20 | 292474 | 11.40 lbs (5.2 kg) | 20# D.C. Standard, Extra, Advantage 2.5 gal Water, Foam & Wet Chemical |

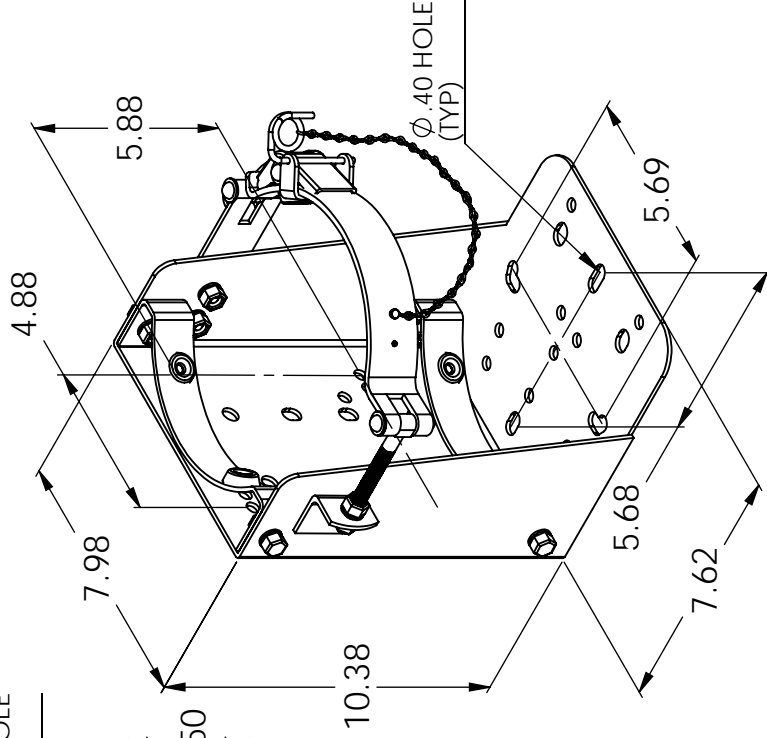
BADGER UB VEHICLE BRACKET DIMENSIONS



UB-5 (368064)



UB-10 (366242)



UB-20 (292474)